



QUALITY • VALUE • RELIABILITY



## 2011 BULL BBQ PRODUCT INFORMATION GUIDE

[www.BULLBBQ.com](http://www.BULLBBQ.com)

# Tile Options

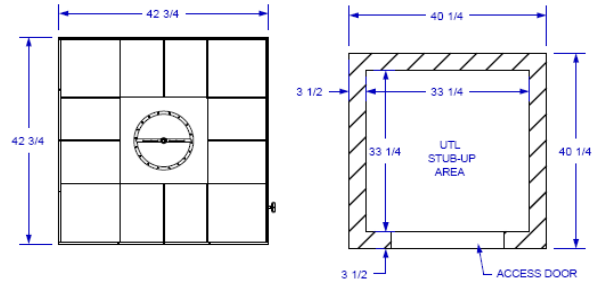


# Siding Options



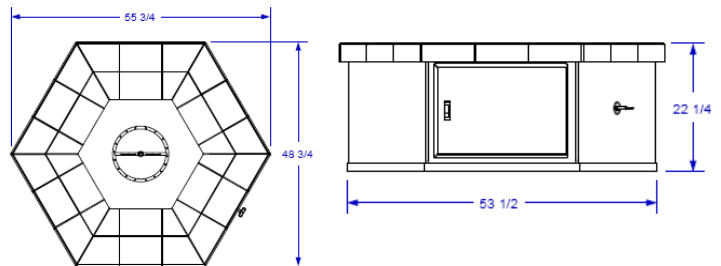
## Square Fire Pit

Fire Pit shown with 12x12 Toronto Grey Granite  
SR-20 Stucco Rock



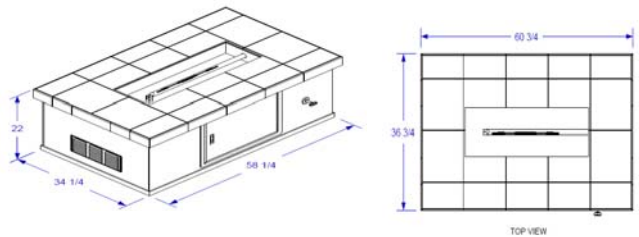
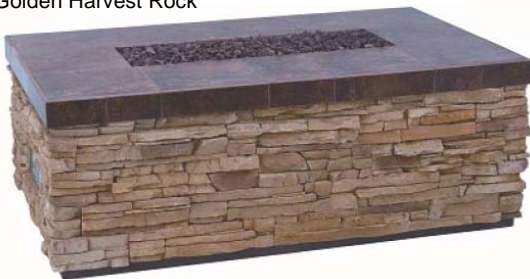
## Hexagon Fire Pit

Fire Pit shown using 13x13 Valencia Tile  
Golden Harvest Rock



## Rectangular Fire Pit

Fire Pit shown using  
13x13 Valencia Tiles  
Golden Harvest Rock



### Standard Features

- 35,000 BTU Burner
- Accommodates 5 Gallon Propane Tank
- Pre Fab. Construction Can Be Placed Anywhere In Yard
- Standard Stucco Base
- Standard Tile Top
- Available in either Natural Gas or Propane

### Optional Upgrades

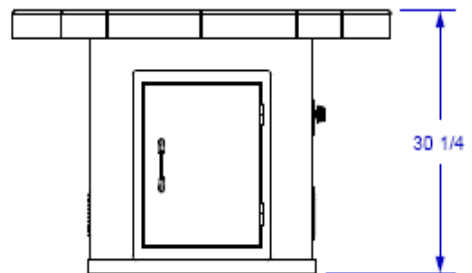
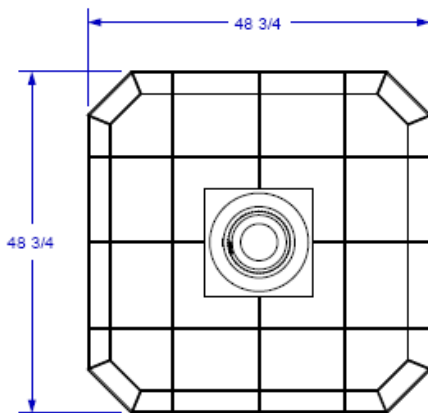
- Granite 12" x12" Tile Top
- Two Tone Tile Top
- Stucco-Rock Base
- Rock Base



# Fire Table



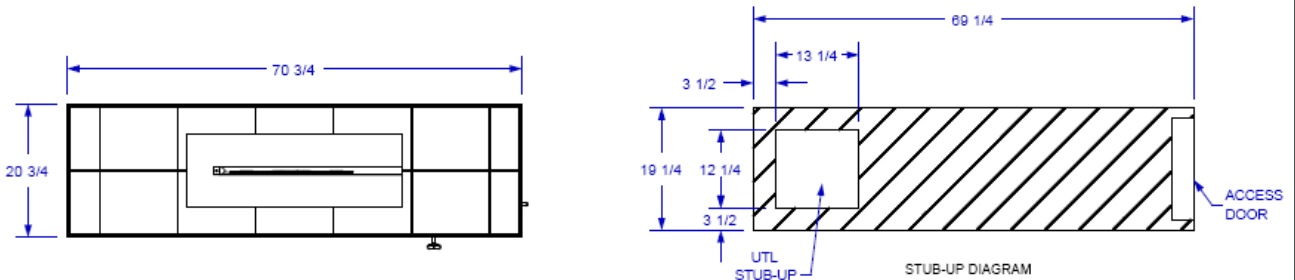
Fire Table shown in  
Two Tone Pinelli Outside  
Marini inside  
Stucco-Rock SR 12



## Optional Upgrades

- 35,000 BTU Burner
- Granite 12" x12" Tile Top
- Two Tone Tile Top
- Stucco-Rock Base
- Rock Base

# Fire Table with Shelf



## Optional Upgrades

- 35,000 BTU Burner
- Granite 12" x12" Tile Top
- Two Tone Tile Top
- Stucco-Rock Base
- Rock Base

# FP 5000

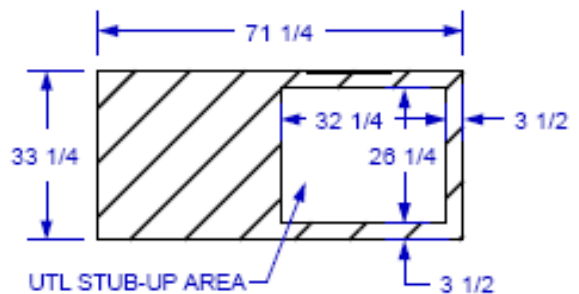
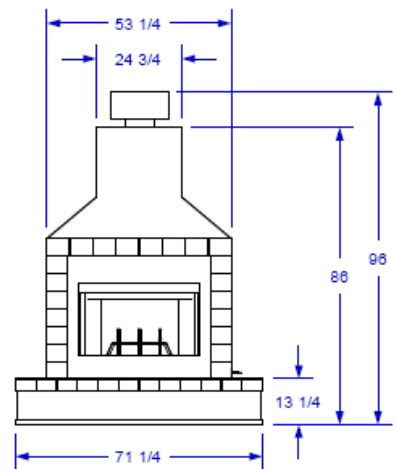
## Stainless Steel Outdoor Fireplace

### Features

- **Brushed Stainless 36" Fireplace**
- **Stainless Steel Spark Screen**
- **Spark Arrestor**
- **Wood burning included**



Fire Place shown using  
Travata Tile  
Stucco Rock SR-12



### Optional Upgrades

- **Granite 12" x12" Tile Top**
- **Two Tone Tile Top**
- **Stucco-Rock Base**
- **Rock Base**
- **Gas Log Set NG or LP**

# Fire Wall

## Features

- 70,000 BTU Burner With Key Valve
- Accommodates 5 Gallon Propane Tank
- Pre Fab. Construction Can Be Placed Anywhere In Yard
- More Heat then typical Fireplace or Fire Pit
- Fits in more applications then a Fireplace
- Stainless Steel Door

## Product Dimensions

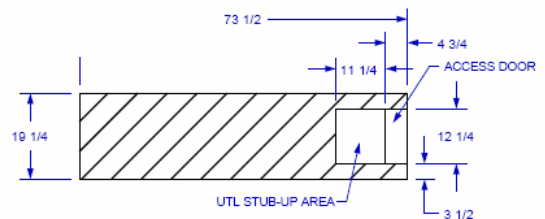
**Width – 74”**  
**Height – 61.5”**  
**Depth – 19”**

Fire Wall Shown using  
 13x13 Valencia  
 Golden Harvest Rock  
 Diamond no longer available



## Optional Upgrades

- 60,000 BTU Burner
- Granite 12” x12” Tile Top
- Two Tone Tile Top



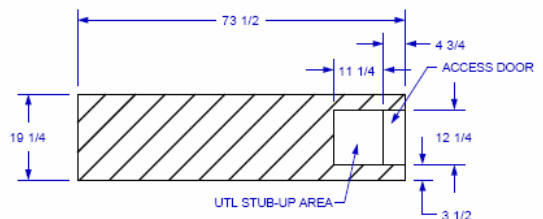
# Fire / Water Wall

## Features

- 70,000 BTU Burner With Key Valve
- Fountain of water trickles down the back of wall
  - 400GPH Fountain Pump
  - 2 Stainless Steel Access Doors
- Accommodates 5 Gallon Propane Tank
- Pre Fab. Construction Can Be Placed Anywhere In Yard
- More Heat then typical Fireplace or Fire Pit
- Fits in more applications then a Fireplace



Fire Wall Shown using  
Fidelio Tile  
Forest Falls Rock



## Optional Upgrades

- 60,000 BTU Burner
- Granite 12" x12" Tile Top
- Two Tone Tile Top

## Product Dimensions

**Width – 74"**  
**Height – 61.5"**  
**Depth – 19"**



2483 W Walnut Ave  
Rialto, CA 92376  
Phone: 800-521-BULL

## ISLAND LIMITED WARRANTY

BULL OUTDOOR PRODUCTS, Inc. Warranties all other islands components to the original purchaser at the original site of delivery. To be free of factory defects in material and workmanship for a period of one (1) year from the original date of purchase. No charges will be made for repair or replacement at the factory for parts returned Pre-Paid, through the dealer and claimed within the warranty period and found by Bull Outdoor Products, Inc. to be defective.

Replacement will be F.O.B. Bull Outdoor Products, Inc and Bull Outdoor Products will not be liable for and transportation costs, labor costs or export duties.

This warranty shall not apply, nor can we assume responsibility for damage that might result from failure to follow manufactures instructions or local codes, where the appliance has been tampered with or altered in any way which, in our judgment, has been subjected to misuse, negligence, or accident. Implied warranty shall not extend beyond the duration of this written warranty.

This warranty is in lieu of all other warranties expressed or implied and all other obligations or liability in connection with the sale of this appliance.

### Notice

The finish and all other appliances of the BBQ ISLAND Cabinet are manufactured of the highest quality available. We are, however, unable to provide warranty service on it due to variations in weather Conditions, care, cleaning and use practices of the owner.